

CMCP512XP

Explosionproof Programmable LED Display with Relay Outputs



Features:

- Explosionproof Housing (FM, ATEX and IECEx)
- Programmable LED Display
- Daylight Visible
- 4-20mA Input
- Two Independent Relay Outputs
- Front Panel Alarm Indicators
- Latching or Non-Latching Alarms
- Local Alarm Reset Button
- 4-20mA Retransmit Output
- Epoxy Coated Finish

Typical Applications

Local Display for Vibration, Temperature, Pressure, Position or any 4-20mA Output Sensor where a Local Indication or Relay Alarm Outputs are Required.

Technical Performance

Power:	18-28VDC (24V Nominal)
Power Consumption:	50mA Max
Signal Input:	4-20mA
Range:	Programmable from 0000 to 9999 with Decimal Placement
Accuracy:	0.1% of Full Scale
Display Type:	10mm (0.4") 4 Digit LED
Response Time:	20ms Typical
Relay Output:	Two SPDT Rated 5 Amps @ 250VAC
Relay State:	Latching or Non- Latching Selectable
Time Delay:	0 to 99 Seconds
Alarm Indication:	Front Panel LED Indicators
Alarm Reset:	Front Panel Push Button and Contacts for Remote Reset
Signal Output:	4-20mA Retransmit
Over Range:	Flashing Display
Not OK:	Fail Low (<4mA)

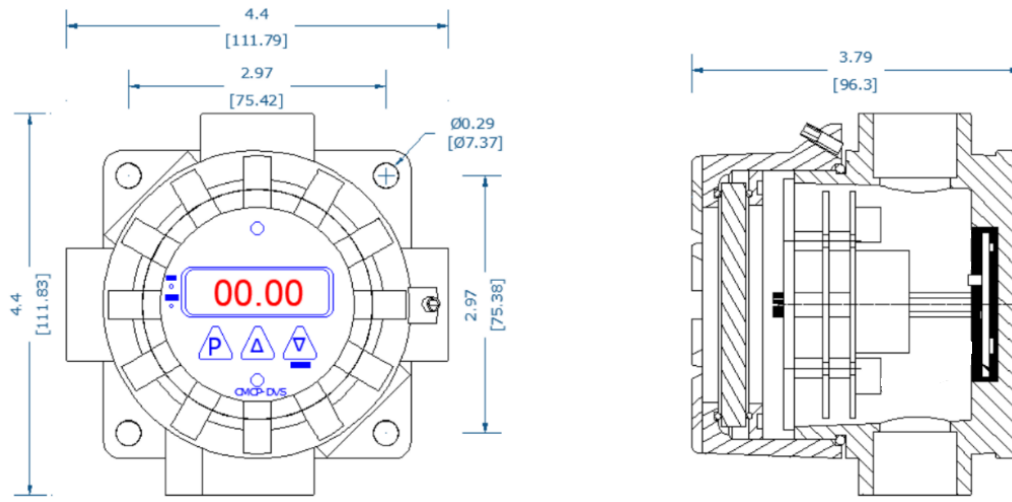
Environmental

Operating Temperature Range:	-22 to 160°F (-40 to +71°C)	
Sealing:	IP68	
Approvals:	FM:	Class I Division 1, Groups B,C and D Class II/III Division 1, Group E, F and G
	ATEX/IECEX:	Ex db IIC T6 Gb Ex tb IIIC T85C Db Ta = 40C to +75C

Mechanical

Enclosure Material:	Cast Aluminum with Epoxy Coated Finish
Cover:	Removable Lid with Clear Window
Conduit Entries:	Three 1/2" NPT Entries
Mounting:	Four 0.29" OD Mounting Holes
Weight:	5.8 Oz (164g)

Dimensions



Ordering Information:

CMCP512XP Explosionproof Programmable LED Display with Relay Outputs

Similar Products:



CMCP512D
Programmable Display with Relay
Outputs



CMCP510
4-20mA Input Panel Meter

Revision Notes:

July 18, 2022: Enclosure Updated to New Version.
Added ATEX, IECEx, FM Approvals